

# Arc 100

PENDANT



## SPECIFICATION SHEET

Arc 100



### Model 1695<sup>1</sup>

**Type**  
P Pendant

**Size**  
Specify radius  
Specify length  
For customized shapes, please include a layout drawing or advise desired shape

### Wattage<sup>2,3</sup>

Direct <sup>4</sup>	Indirect <sup>5</sup>
LD 3 W/ft (400 lm/ft) 10 W/m (1,335 lm/m)	LI 3 W/ft (400 lm/ft) 10 W/m (1,335 lm/m)
MD 6 W/ft (743 lm/ft) 20 W/m (2,475 lm/m)	MI 6 W/ft (743 lm/ft) 20 W/m (2,475 lm/m)

XD – No Direct      XI – No Indirect

### Color Temp<sup>6</sup>

30	3000
35	3500
40	4000

### Voltage

U	120/277 Volt
1	120 Volt (DFPN only – see section Control)

### Driver

RD Remote

### Control - RD

S	Non-dim
D010	0-10V 10%
DFPN	Lutron Forward Phase 1% 120 Volt
L3DAE	Lutron Hi-lume 1% EcoSystem
L3DOE	Lutron Hi-lume Premier 0.1% EcoSystem

### Diffuser Bottom

SW	Satin opal acrylic
CB	Aluminum – painted to match the fixture

### Diffuser Top

SA	Satin clear acrylic
CT	Aluminum – painted to match the fixture

### Finish<sup>7</sup>

19	Painted anodized aluminum - RAL 9006 matte
21	Painted white - RAL 9010 matte
26	Painted black - RAL 9005 matte
22	Painted custom color

### Mounting

SC Straight cables

### Circuit

CS	Circuit - Single
CD	Circuit - Dual

### Power Cable<sup>8</sup>

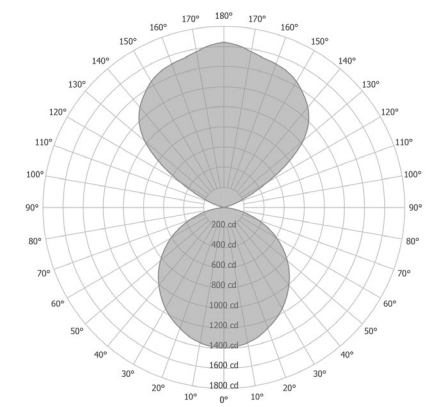
CC	Clear insulated cable (standard)
WC	White cable
BC	Black cable

### Notes

- 1 Separately specify any downlighting elements
- 2 Nominal lumens value specified
- 3 Linear LED board, constant voltage 24 Volt
- 4 For no Direct light specify XD
- 5 For no Indirect light specify XI
- 6 90+ CRI standard
- 7 Canopy finish matches housing
- 8 96" standard cable length

### Example fixture number:

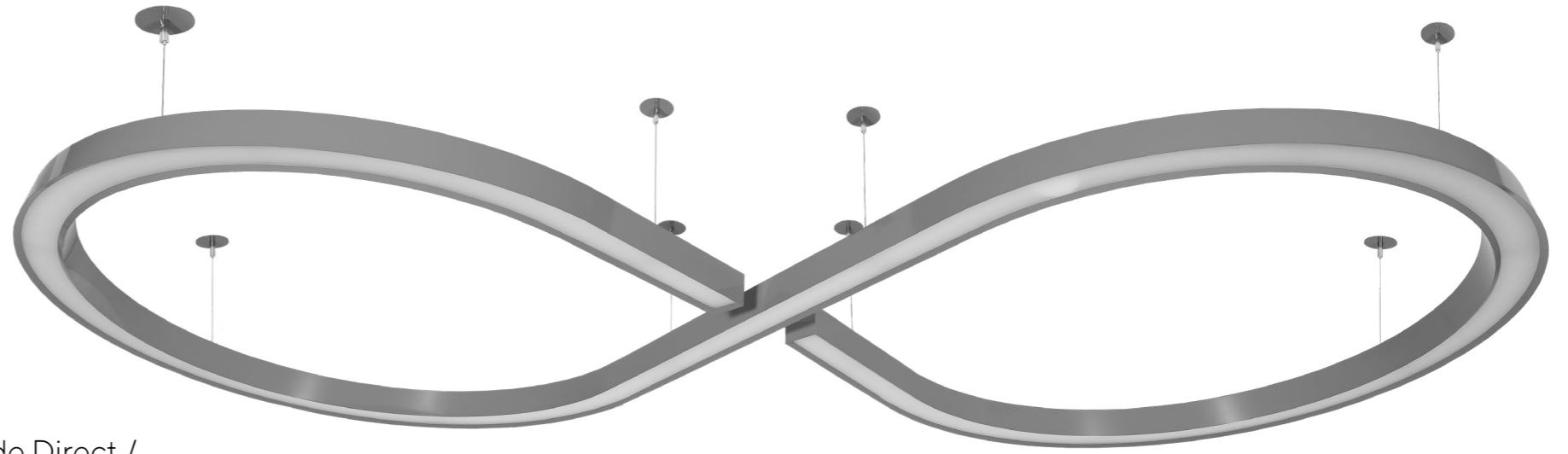
1695 – P – R x L – LD – LI – 30 – U – RD – S – SW  
– SA – 19 – SC – CS – CC



# Arc 100

PENDANT

Arc 100 is a completely customizable channel designed to provide Direct / Indirect lighting. Option with indirect lighting and solid bottom with suspended luminaires creates a stunning effect. Open arcs, ellipses, and compound curves can be realized to exact dimensions. The simple expression of infinity and the luminous power of light was the inspiration for the development of the Arc.



#### Size

Specify radius

Specify length

For customized shapes, please include a layout drawing or advise desired shape



- \* 65mm x 100mm fixture body profile
- \* Straight cables mounting option
- \* Hairline fixture segments connection

# Arc 100

PENDANT



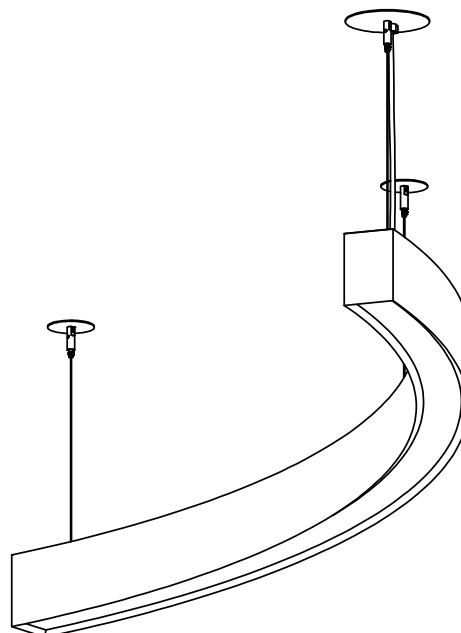
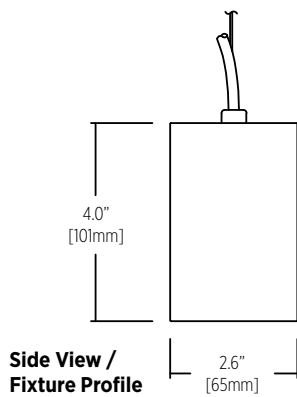
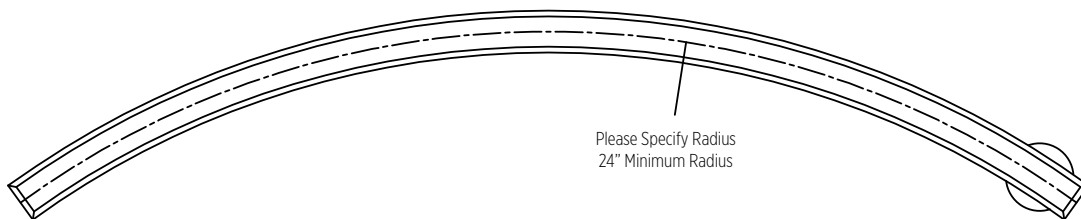
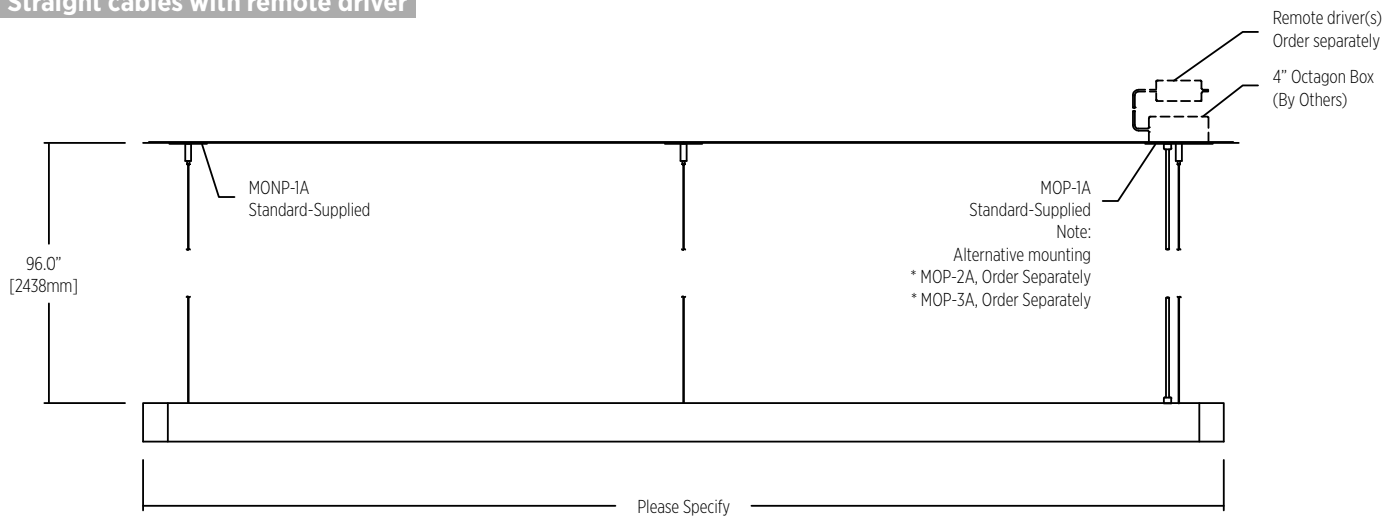
## SPECIFICATION SHEET

Arc 100



### INSTALLATION TYPE

#### Straight cables with remote driver



**Note:**  
See page 3 & 4 for mounting options

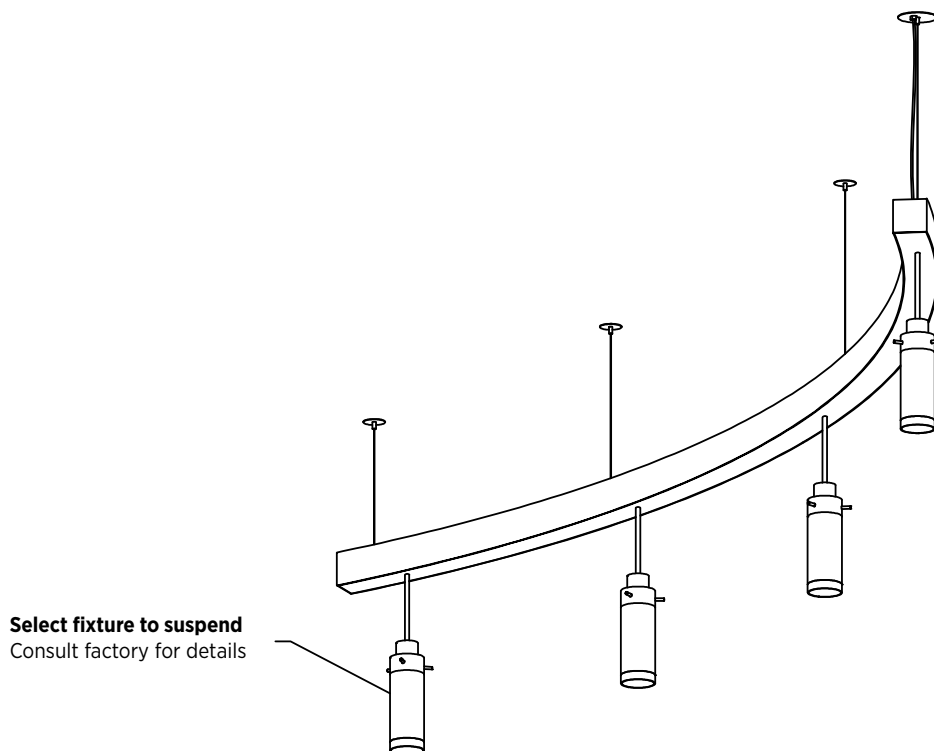
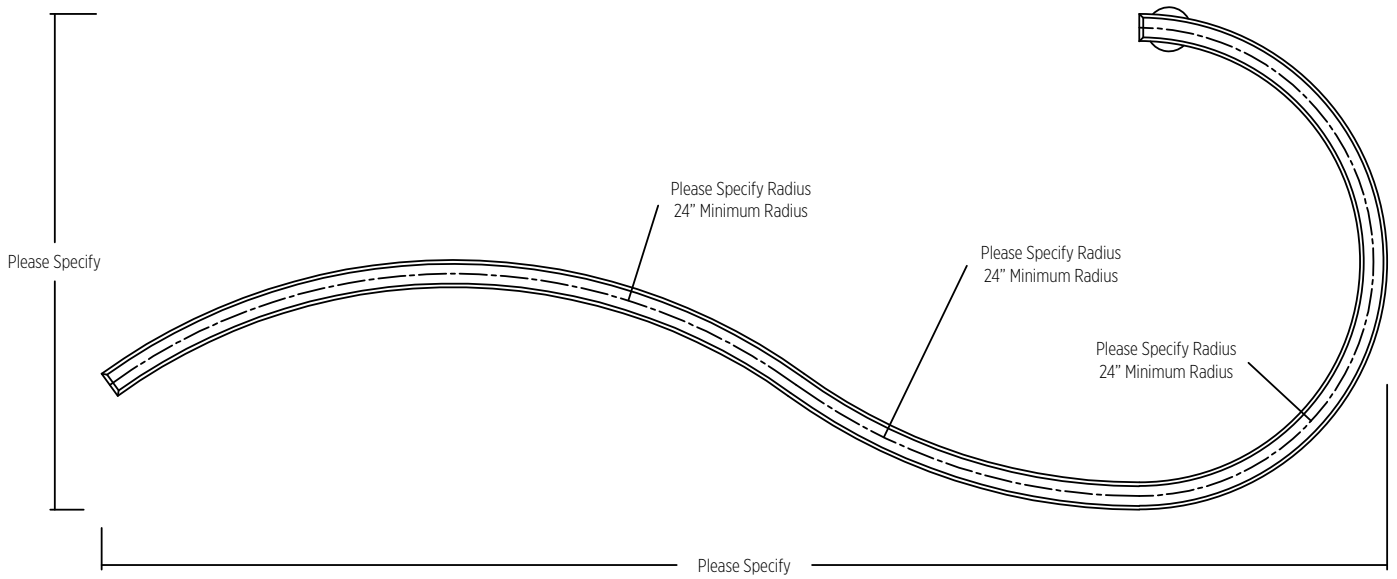
# Arc 100

PENDANT



## SPECIFICATION SHEET

Arc 100



# Arc 100

PENDANT



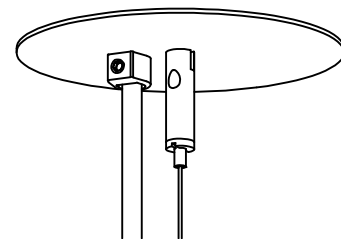
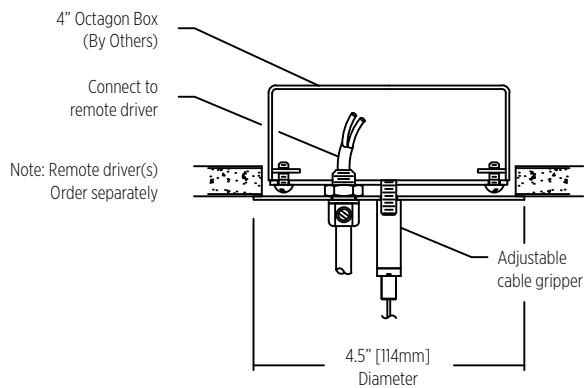
## SPECIFICATION SHEET

Arc 100



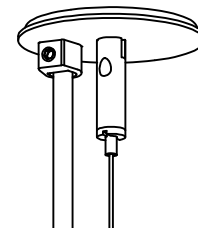
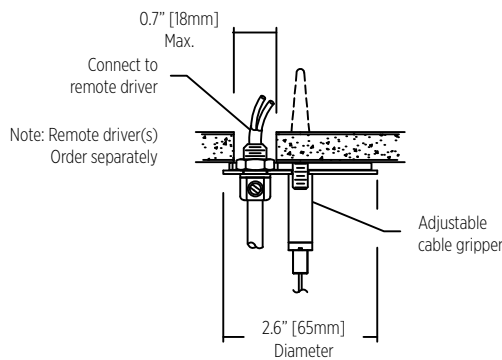
### STRAIGHT CABLES MOUNTING OPTION - POWER

#### MOP-1A Standard - Supplied



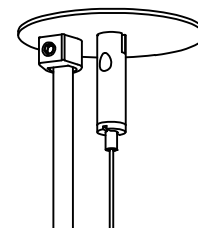
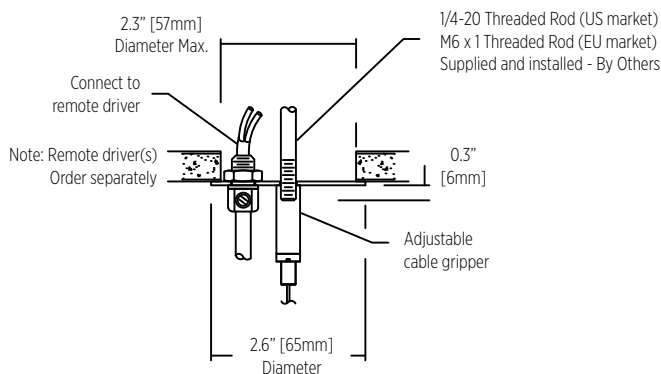
Mounting Option Power 1A  
Octagon Box (By Others)  
Installed in drywall, wood or concrete ceiling

#### MOP-2A-1 Order Separately



Mounting Option Power 2A-1  
Suspension assembly  
Installed in drywall or wood ceiling

#### MOP-2A-2 Order Separately



Mounting Option Power 2A-2  
Suspension assembly  
Installed in drywall or wood ceiling

# Arc 100

PENDANT

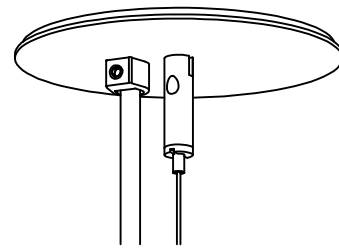
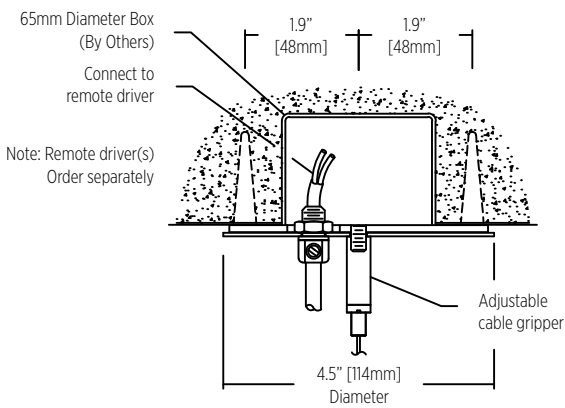


## SPECIFICATION SHEET

Arc 100



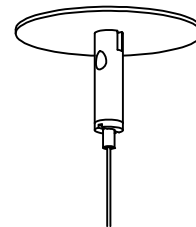
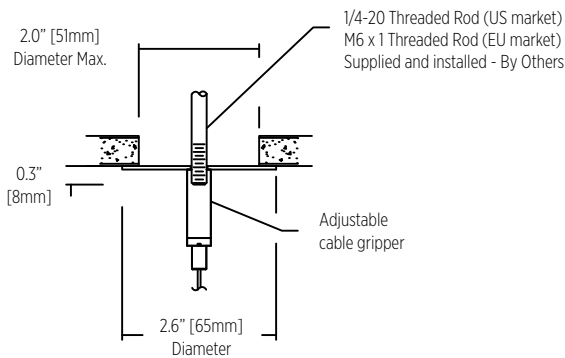
### MOP-3A Order Separately



Mounting Option Power 3A  
65mm Diameter Box (By Others)  
Installed in drywall, wood or concrete ceiling

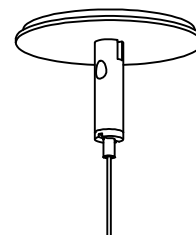
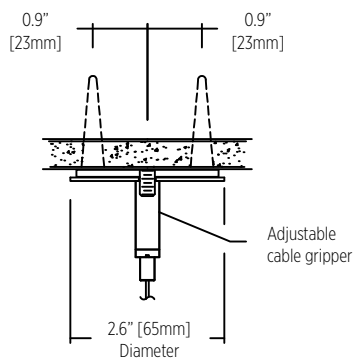
### STRAIGHT CABLES MOUNTING OPTION - NON POWER

#### MONP-1A-1 Standard - Supplied



Mounting Option - Non Power  
Threaded Rod installed  
to structural ceiling (By Others)

#### MONP-1A-2 Alternative - Supplied



Mounting Option - Non Power  
Suspension Assembly  
Installed in drywall, wood or concrete ceiling